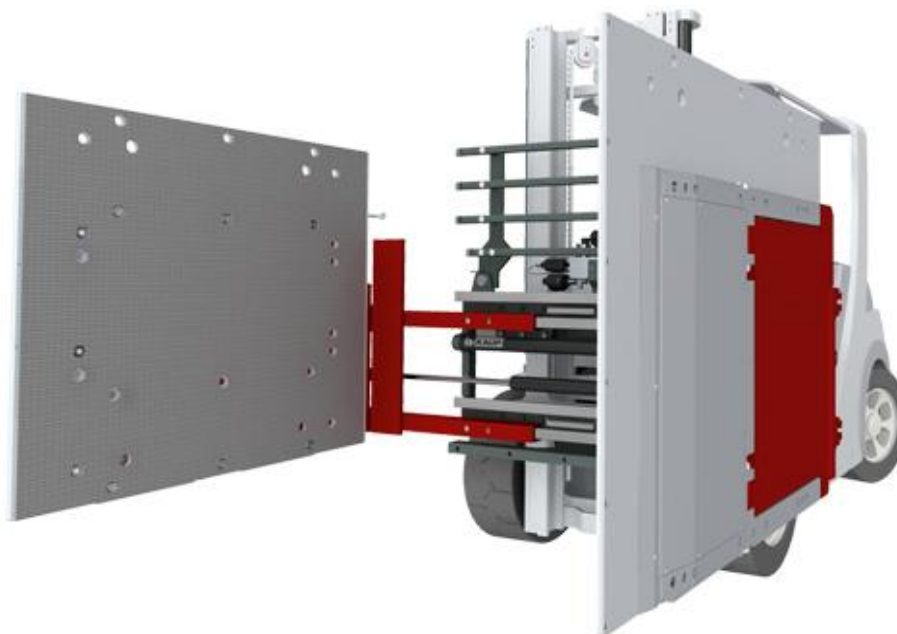


Kaup Carton Clamp

Fleet No. BC0612



B&B
attachments



Specification

Fleet No: BC0612

Serial No: 136477-001

Make: Kaup

Model: 1.5T414-1

Description: Carton Clamp

Class: 2A

Opening Range: 490 . 1670mm

Capacity: 1250kg @ 500mm

C of G: 440mm

Lost Load: 163mm

Arm size: 1200mm x 1175mm

Weight: 600kg

Frame: 970mm

B&B Attachments Ltd

Unit 46 Colbourne Avenue, Nelson Park
Industrial Estate, Cramlington, Northumberland,
NE23 1WD United Kingdom

Tel: +44 (0)1670 737373
hire@bandbattachments.com
www.bandbattachments.com