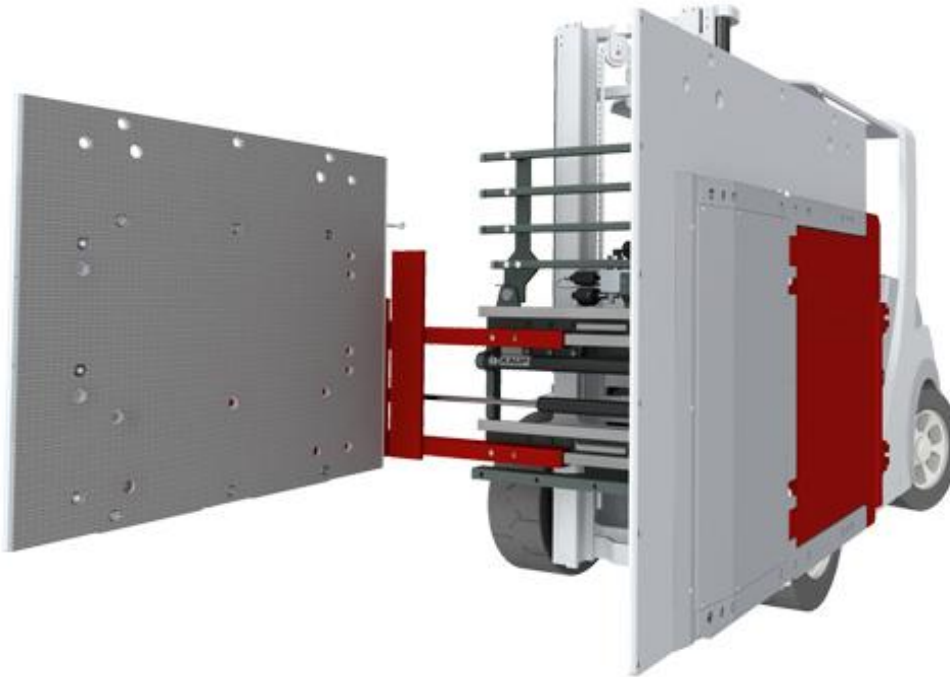


Kaup Appliance Clamp

Fleet No. BC0153



B&B
attachments



Specification

B&B Fleet No: BC0153

Serial No: 102288

Make: Kaup

Model: 1.5T414-1

Description: Appliance Clamp

Class: 2A

Side shifting: No

Arm Dimensions: 1300x1200mm

Opening Range: 450-1630mm

Capacity & load centre: 1040kg @ 600mm

C of G: 515mm

Lost Load: 133mm

Weight: 600kg

Frame: 970mm

Rotation: No

B&B Attachments Ltd

Unit 46 Colbourne Avenue, Nelson Park
Industrial Estate, Cramlington, Northumberland,
NE23 1WD United Kingdom

Tel: +44 (0)1670 737373
hire@bandbattachments.com
www.bandbattachments.com